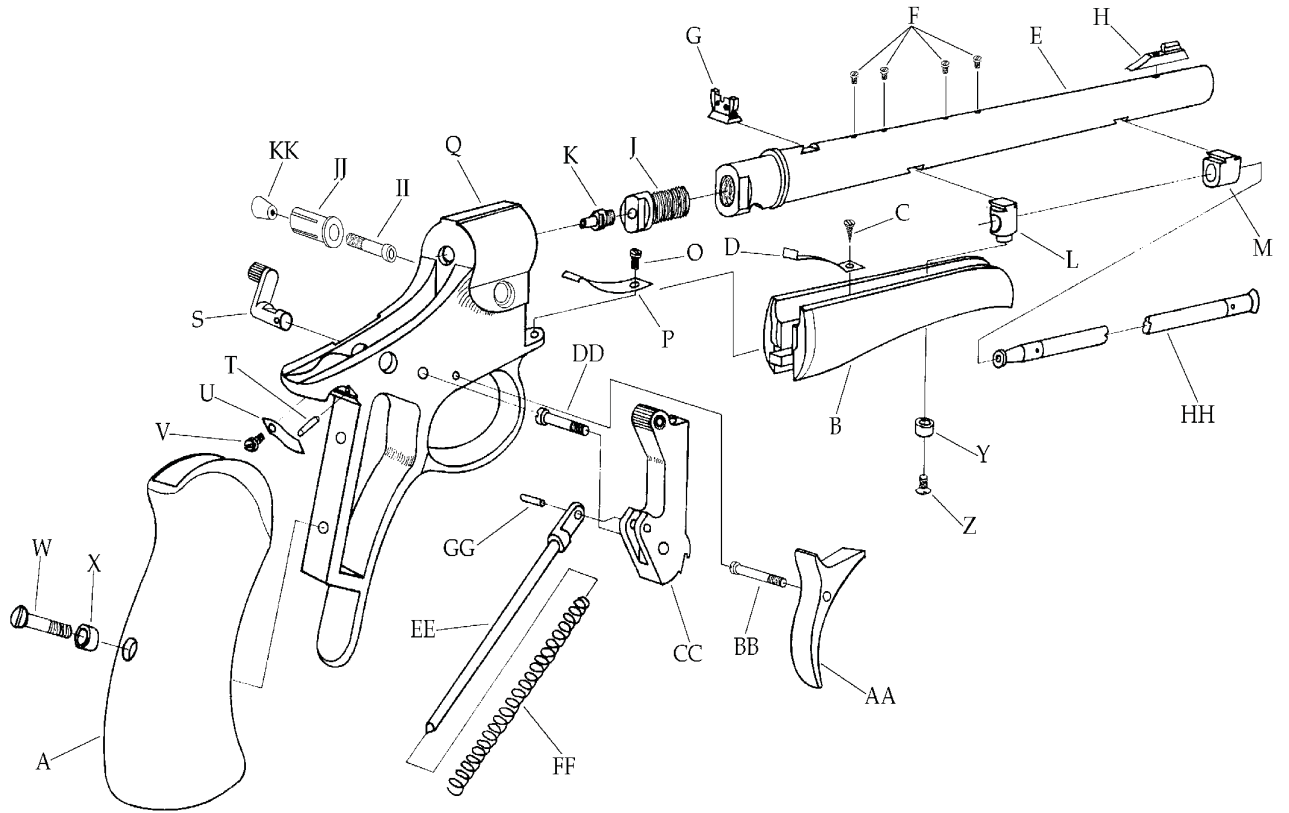


Buckhunter Pistol

Models: P-16003120
 50 cal. perc. 1-28"
 Blued Barrel

P-16203120
 .50 cal. perc. 1-28"
 Blued Long Barrel 12 1/2"



Description	Reference	Description	Reference
A Grip Stock (Walnut).....	FCS16001-2	S Thumb Safety.....	16004
B Fore Stock (Walnut).....	FCS16001-1	T Safety Detint Pin.....	M16012
C Ramrod Retaining Spring Screw.....	400024	U Safety Detint Spring.....	16013
D Ramrod Retaining Spring.....	16018	V Thumb Safety Screw.....	20614
E Barrel Assembly (kit)		W Grip Stock Screw.....	16016
.50 cal. Perc. (twist 1-28").....	C160030	X Grip Stock Washer.....	16019
.50 cal. Perc. (twist 1-28") Long Barrel.....	C162030	Y Fore Stock Washer.....	16014
E Barrel Assembly (Finished)		Z Fore Stock Screw.....	16017
.50 cal. Perc. Blued (twist 1-28").....	FB160030	AA Trigger.....	16003
.50 cal. Perc. Blued (twist 1-28") Long Barrel....	FB162030	BB Trigger Screw.....	16011
F Plug Screw (4).....	26029	CC Hammer.....	16002
G Rear Sight Assembly.....	16005	DD Hammer Screw.....	16009
H Front Sight.....	16006	EE Mainspring Guide.....	16007
J Breech Plug.....	600007	FF Mainspring.....	16008
K Nipple Percussion Only.....	20608	GG Mainspring Guide Pin.....	13012
L Barrel Tennon Lug.....	160008	HH Ramrod Assembly.....	16028N
M Ramrod Thimble.....	160023	I Allen Head Take Down Screw.....	16031
O Trigger Spring Screw.....	20614	JJ Inline Pistol Take Down Claw.....	16029
P Trigger Return Spring.....	16010	KK Inline Pistol Barrel Cone.....	16030
Q Frame Blued.....	FF16015/110		

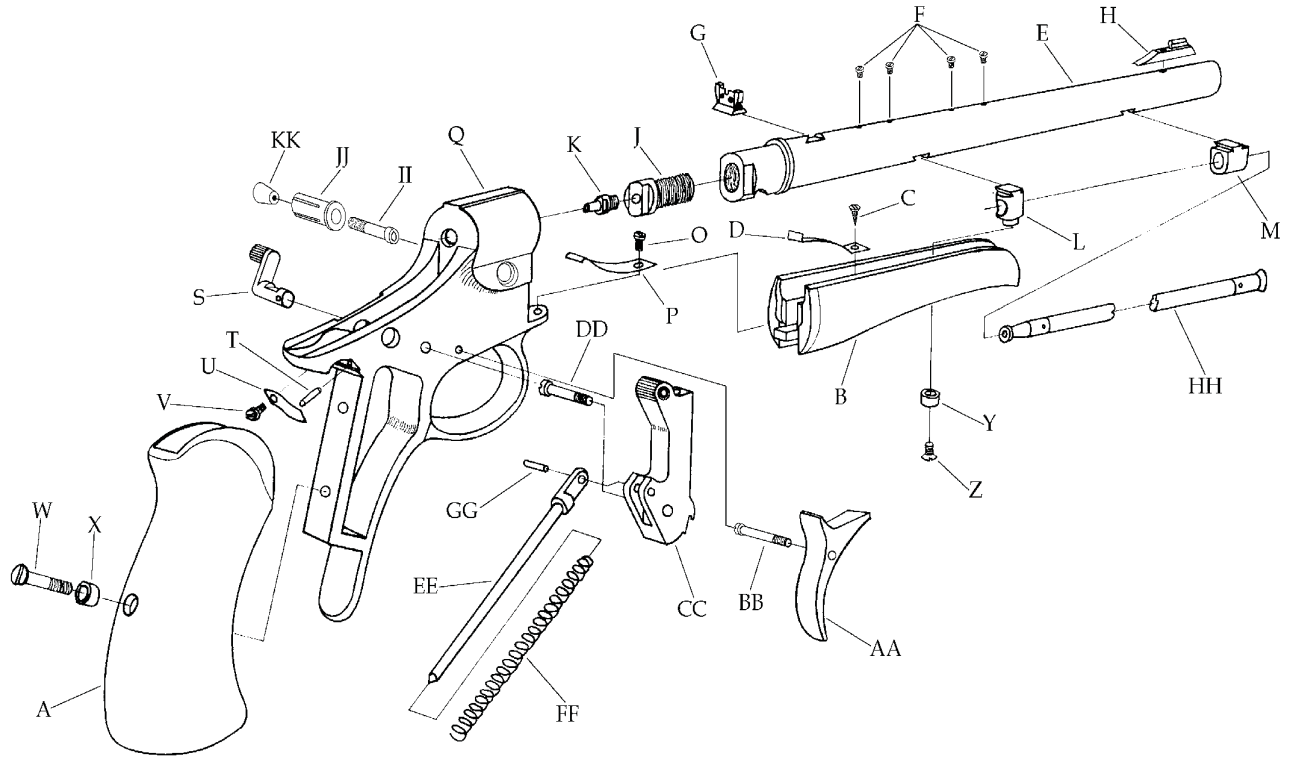
Buckhunter Pistol

Models:

P-16103102

.50 cal. Perc. 1-28"

C-Nickel Barrel



Description	Reference	Description	Reference
A Grip Stock (All Weather).....	FCS16101-2	T Safety Detint Pin.....	M16012
B Fore Stock (All Weather).....	FCS16101-1	U Safety Detint Spring.....	16013
C Ramrod Retaining Spring Screw.....	400024	V Thumb Safety Screw.....	20614
D Ramrod Retaining Spring.....	16018	W Grip Stock Screw.....	16016
E Barrel Assembly (Kit) .50 cal. Perc. (twist 1-28").....	C161030	X Grip Stock Washer.....	16019
E Barrel Assembly (Finished) .50 cal. Perc. C-Nickel (twist 1-28").....	FB161030	Y Fore Stock Washer.....	16014
F Plug Screw (4).....	26029	Z Fore Stock Screw.....	16017
G Rear Sight Assembly.....	16005	AA Trigger.....	16003
H Front Sight.....	16006	BB Trigger Screw.....	16011
J Breech Plug.....	600007	CC Hammer.....	16002
K Nipple Percussion Only.....	20608	DD Hammer Screw.....	16009
L Barrel Tennon Lug.....	160008	EE Mainspring Guide.....	16007
M Ramrod Thimble.....	160023	FF Mainspring.....	16008
O Trigger Spring Screw.....	20614	GG Mainspring Guide Pin.....	13012
P Trigger Return Screw.....	16010	HH Ramrod Assembly.....	16028N
Q Frame Blued.....	FF16115/110	II Allen Head Take Down Screw.....	16031
S Thumb Safety.....	16004	JJ Inline Pistol Take Down Claw.....	16029
		KK Inline Pistol Barrel Cone.....	16030

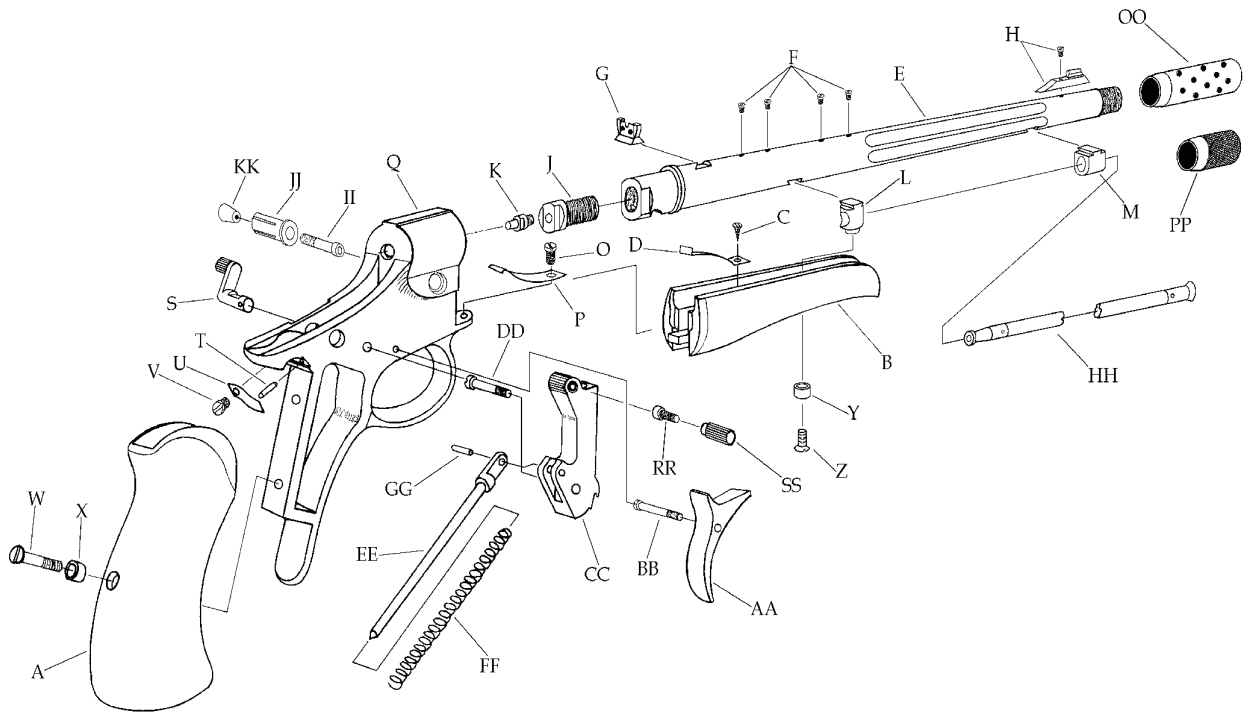
Buckhunter Pistol

Models:

P-16503102

.50 cal. Perc. 1-28"

C-Nickel Fluted Barrel



Description	Reference	Description	Reference
A Grip Stock (All Weather).....	FCS16101-2	U Safety Detint Spring.....	16013
B Fore Stock (All Weather).....	FCS16101-1	V Thumb Safety Screw.....	20614
C Ramrod Retaining Spring Screw.....	400024	W Grip Stock Screw.....	16016
D Ramrod Retaining Spring.....	16018	X Grip Stock Washer.....	16019
E Barrel Assembly (Kit) .50 cal. Perc. (twist 1-28").....	C165030	Y Fore Stock Washer.....	16014
E Barrel Assembly (Finished) .50 cal. Perc. C-Nickel Fluted (twist 1-28").....	FB165030	Z Fore Stock Screw.....	16017
F Plug Screw (4).....	26029	AA Trigger.....	16003
G Rear Sight Assembly.....	16505	BB Trigger Screw.....	16011
H Front Sight.....	16006	CC Hammer.....	16002
J Breech Plug.....	600007	DD Hammer Screw.....	16009
K Nipple Percussion Only.....	20608	EE Mainspring Guide.....	16007
L Barrel Tennon Lug.....	160008	FF Mainspring.....	16008
M Ramrod Thimble.....	160023	GG Mainspring Guide Pin.....	13012
O Trigger Spring Screw.....	20614	HH Ramrod Assembly.....	16528N
P Trigger Return Screw.....	16010	II Allen Head Take Down Screw.....	16031
Q Frame Blued.....	FF16115/110	JJ Inline Pistol Take Down Claw.....	16029
S Thumb Safety.....	16004	KK Inline Pistol Barrel Cone.....	16030
T Safety Detint Pin.....	M16012	OO Muzzle Brake (C-Nickel).....	627035
		PP Muzzle Thread Cap (C-Nickel).....	627036

TRADITIONS™

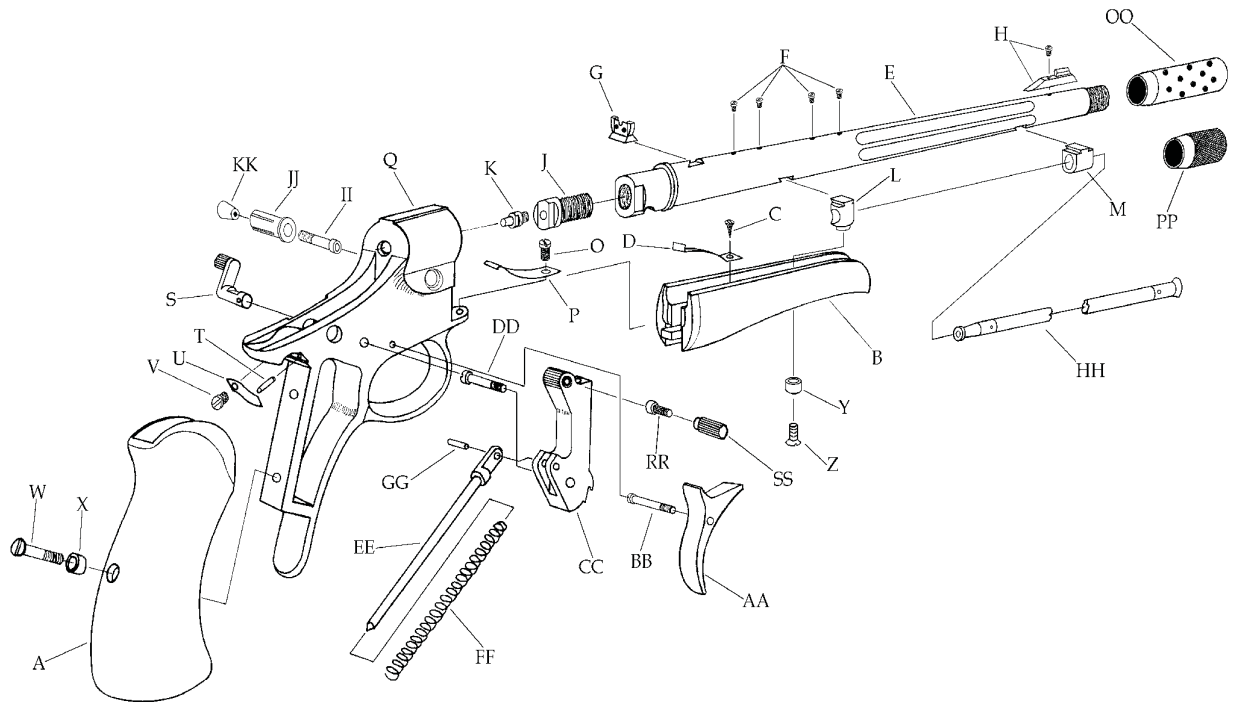
Buckhunter Pro Pistol

Models:

P-16550102

.45 cal. Perc. 1-20"

C-Nickel Fluted Barrel/Muzzle Brake



Description	Reference	Description	Reference
A Grip Stock (All Weather).....	FCS16101-2	U Safety Detint Spring.....	16013
B Fore Stock (All Weather).....	FCS16101-1	V Thumb Safety Screw.....	20614
C Ramrod Retaining Spring Screw.....	400024	W Grip Stock Screw.....	16016
D Ramrod Retaining Spring.....	16018	X Grip Stock Washer.....	16019
E Barrel Assembly (Kit) (Lenght 14 3/4") .45 cal. Perc. (twist 1-20").....	C-165500	Y Fore Stock Washer.....	16014
E Barrel Assembly (Finished) (Lenght 14 3/4") .45 cal. Perc. C-Nickel Fluted (twist 1-20").....	FB165500	Z Fore Stock Screw.....	16017
F Plug Screw (4).....	26029	AA Trigger.....	16003
G Rear Sight Assembly.....	16505	BB Trigger Screw.....	16011
H Front Sight.....	16006	CC Hammer.....	16002
J Breech Plug.....	600007	DD Hammer Screw.....	16009
K Nipple Percussion Only.....	20608	EE Mainspring Guide.....	16007
L Barrel Tennon Lug.....	160008	FF Mainspring.....	16008
M Ramrod Thimble.....	160023	GG Mainspring Guide Pin.....	13012
O Trigger Spring Screw.....	20614	HH Ramrod Assembly.....	16528N
P Trigger Return Screw.....	16010	II Allen Head Take Down Screw.....	16031
Q Frame Blued.....	FF16115/110	JJ Inline Pistol Take Down Claw.....	16029
S Thumb Safety.....	16004	KK Inline Pistol Barrel Cone.....	16030
T Safety Detint Pin.....	M16012	OO Muzzle Break (C-Nickel).....	627035
		PP Muzzle Thread Cap (C-Nickel).....	627036